

XD SERIES

SELF-PROPELLED ROUGH TERRAIN SCISSOR LIFT

Mantall®



Standard Features

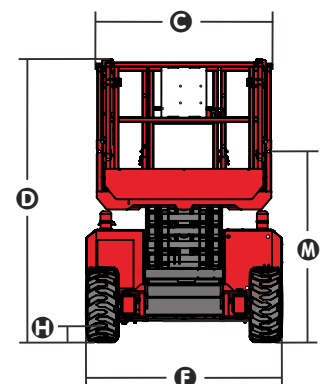
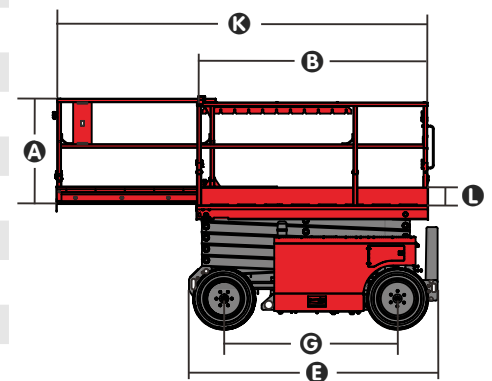
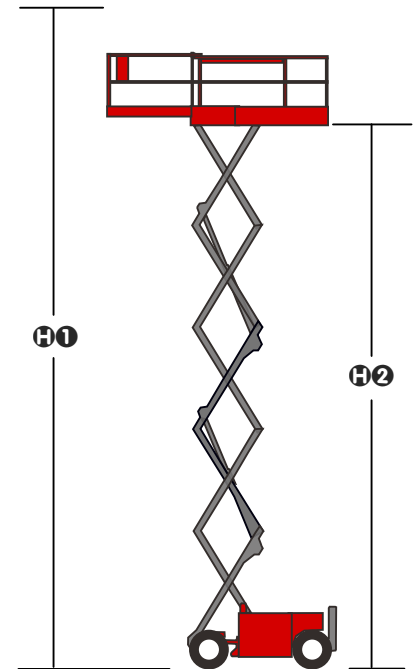
- Foldable guardrail
- Diagnosis system
- AC power to platform
- 4 wheel drive
- Tilt level sensor with an audible alarm
- Lowering alarm
- Horn
- Hour meter
- Emergency pump
- Proportional controls
- Solid rough tire
- Safety brackets
- Dual flashing beacon

Options Features

- Automatic leveling hydraulic outriggers
- Air line to platform
- Motor cold starting components
- Overload sensor
- Moveable alarm components
- Non-mark rough tire

XD SERIES

MODEL	XD100RT	XD120RT	XD140RT
Working height max H1	10 m	12 m	14 m
Platform height max H2	8 m	10 m	12 m
Length - Platform extension	1.5 m		
Lifting capacity	567 kg	454 kg	345 kg
Lift capacity on the extension	136 kg		
Dimension of the platform BxCxA	2.5 x 1.6 x 1.15 m		
Platform length - extended K	4 m		
Platform skirting board height L	0.15 m		
Overall length and width ExF	2.67 x 1.76 m		
Overall length with outriggers	3.18 m		
Height stowed D	2.4 m	2.52 m	2.65 m
Height - guardrails folded M	1.7 m	1.83 m	1.98 m
Wheelbase G	1.89 m		
Ground clearance H	0.17 m		
Turning radius - inside	1.58 m		
Turning radius - outside	3.89 m		
Rising time / lowering time	40/35 s	45/37 s	50/42 s
Drive speed - stowed	4.0 km/h		
Drive speed - raised	0.8 km/h		
Gradeability	40%		
Tilt sensor - front to back	3°		
Tilt sensor - side to side	2°		
Outrigger level ability - front to back	9°		
Outrigger level ability - side to side	13°		
Control mode	Control proporcional		
Drive model	4-wheel drive		
Hydraulic tank capacity	68 L		
Fuel tank capacity	57 L		
Max. platform occupancy - indoor/outdoor	4/4 pers	4/2 pers	3/2 pers
Solid tyres	675 x 280 mm		
Power source	Kubota / Yanmar		
Weight	3660 kg	3930 kg	4220 kg
Weight - with outriggers	4120 kg	4390 kg	4680 kg



» The metric system height is 2 meters higher than platform height, the imperial height is 6 feet than platform height

» CE/AU market, XD can be used in indoor and outdoor, to accommodate two person

» Climbing ability is suitable for driving on the slope, the slope classification reference operation manual

» Weight according to the options and standards vary from country to country